

Name:

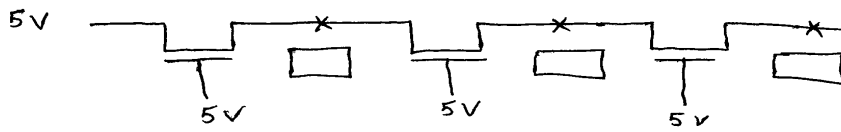
Id#

COE 360, Principles of VLSI Design, Term 032 Quiz# 4

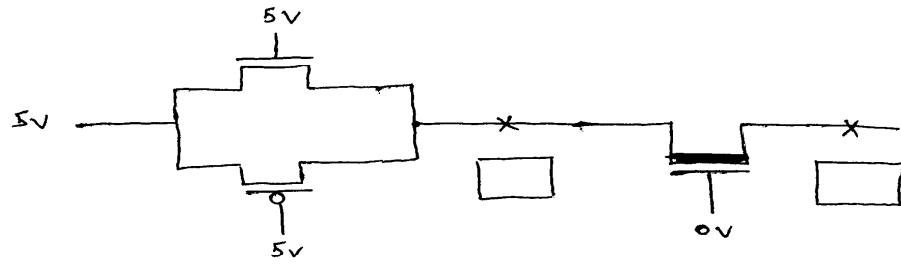
Date: Tuesday, March 30

Q1. Assuming NMOS enhancement transistor threshold voltage V_{tn} of 1.0v, depletion transistor threshold voltage V_{td} of -2.0v, and PMOS enhancement transistor threshold voltage V_{tp} of -1.0 v, write down the voltages of the indicated nodes below. Assume that the body effect is negligible, and $W/L=2$ for all transistors.

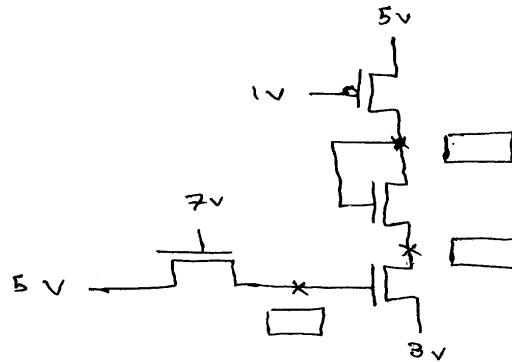
(1)



(2)



(3)



(4)

