

Name: Key

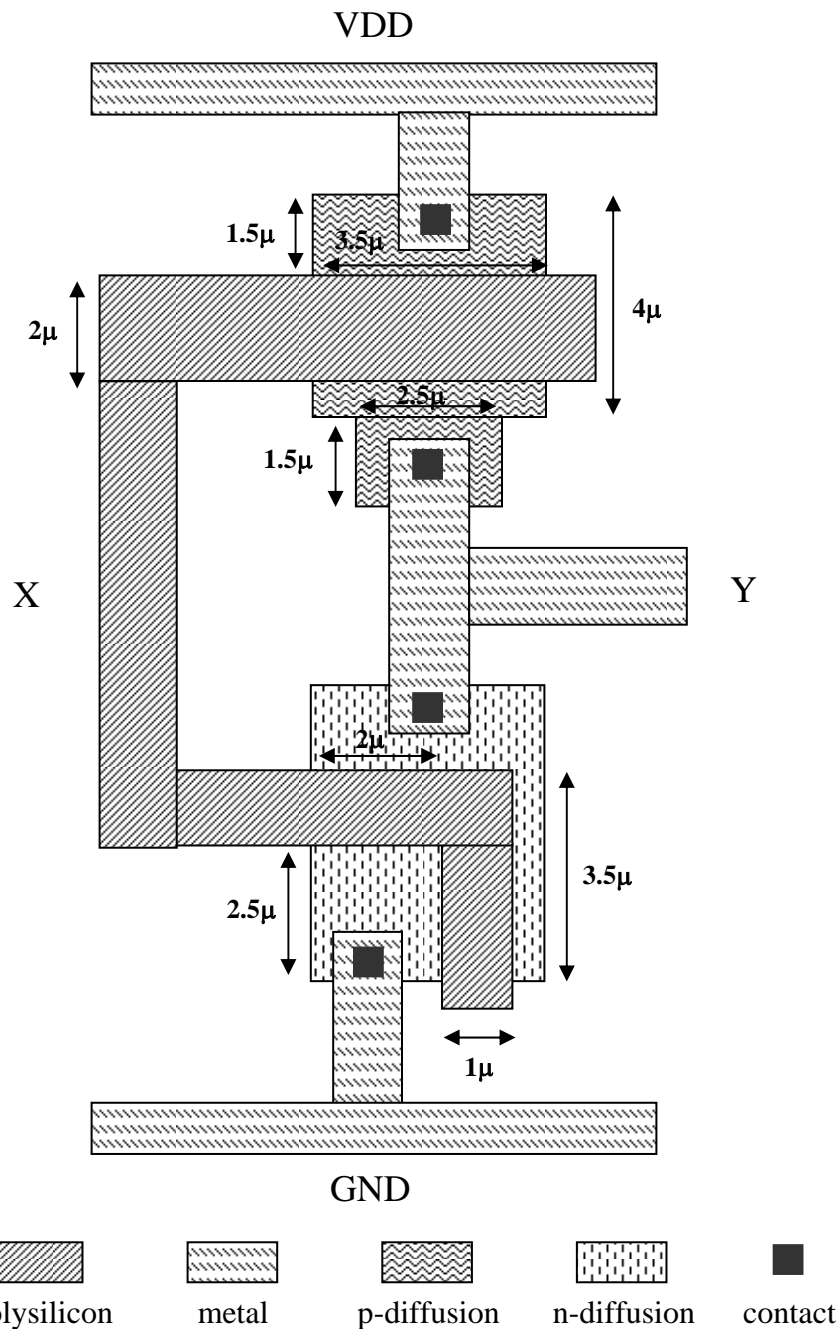
Id#

COE 360, Principles of VLSI Design, Term 002  
Pop Quiz# 3

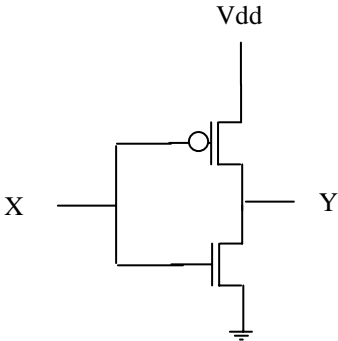
Date: Sunday, April 15

Given the layout shown below, do the following:

- (1) Extract the transistor-level implementation from the layout and determine the function that it implements.
- (2) Show the polysilicon, p-diffusion, n-diffusion, contact cut, and metal masks for this layout.

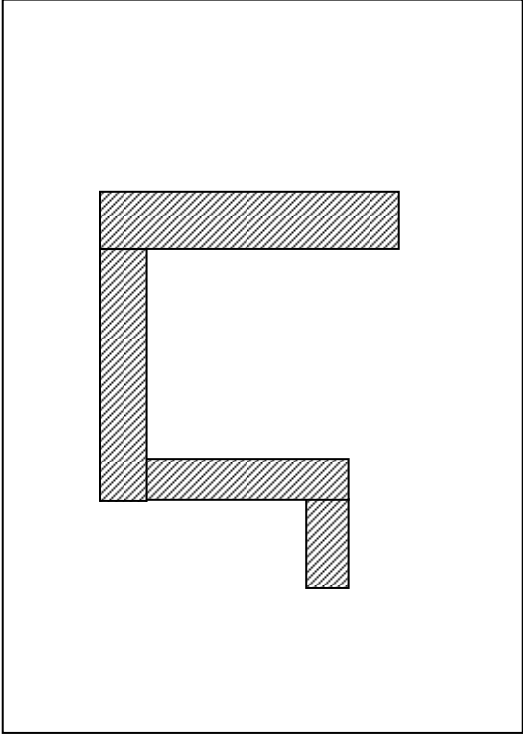


1. The transistor-level implementation of the layout is for a CMOS inverter as shown below:

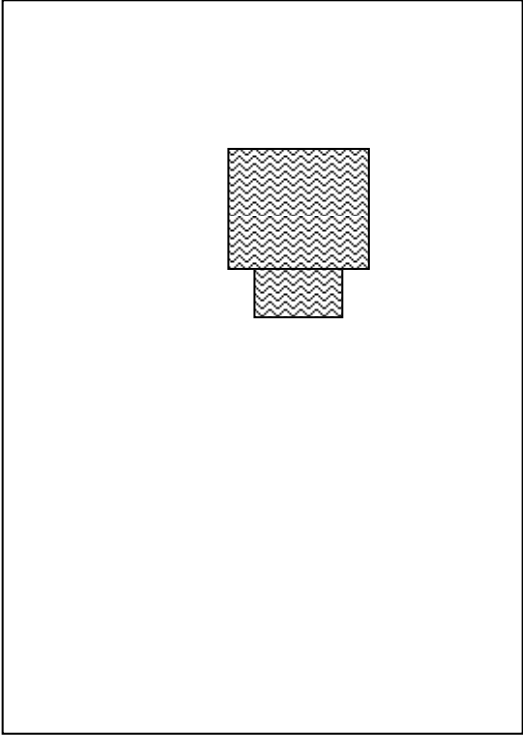


2.

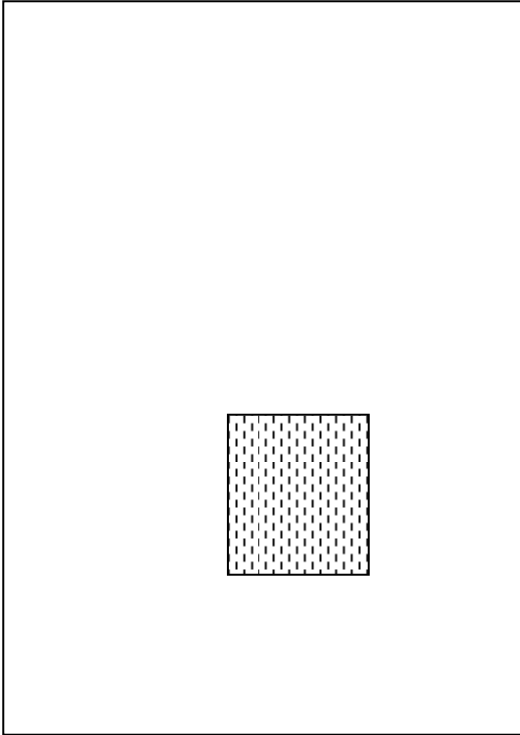
Polysilicon Mask



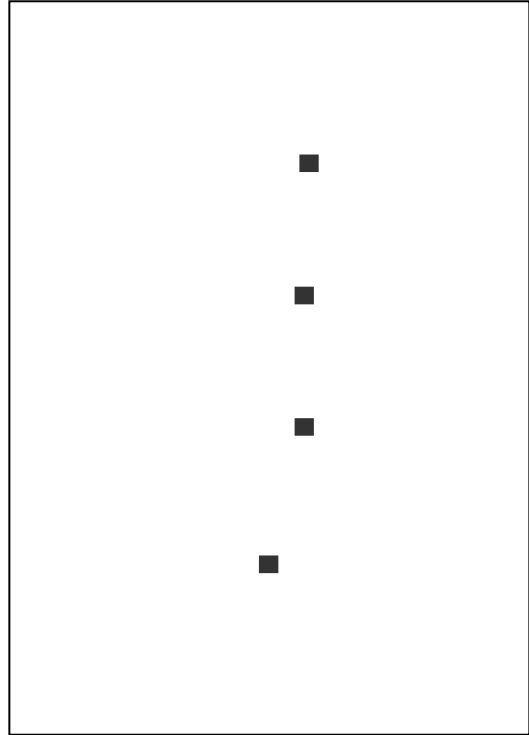
P-diffusion Mask



N-diffusion Mask



Contact cut Mask



Metal Mask

