



Key Solution

HOME WORK # 7

by

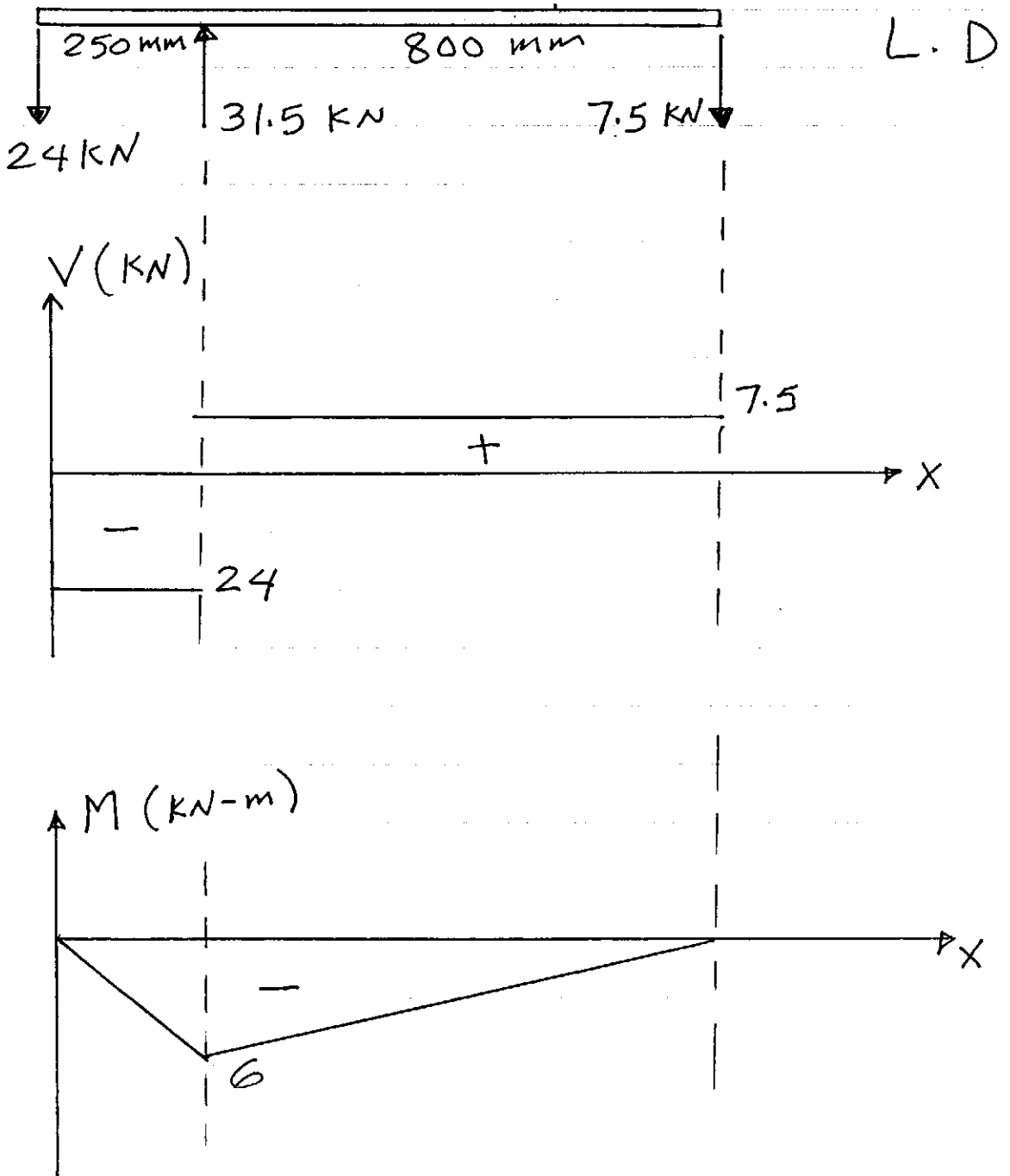
Dr. Juruf R.S.

Civil Engineering Department

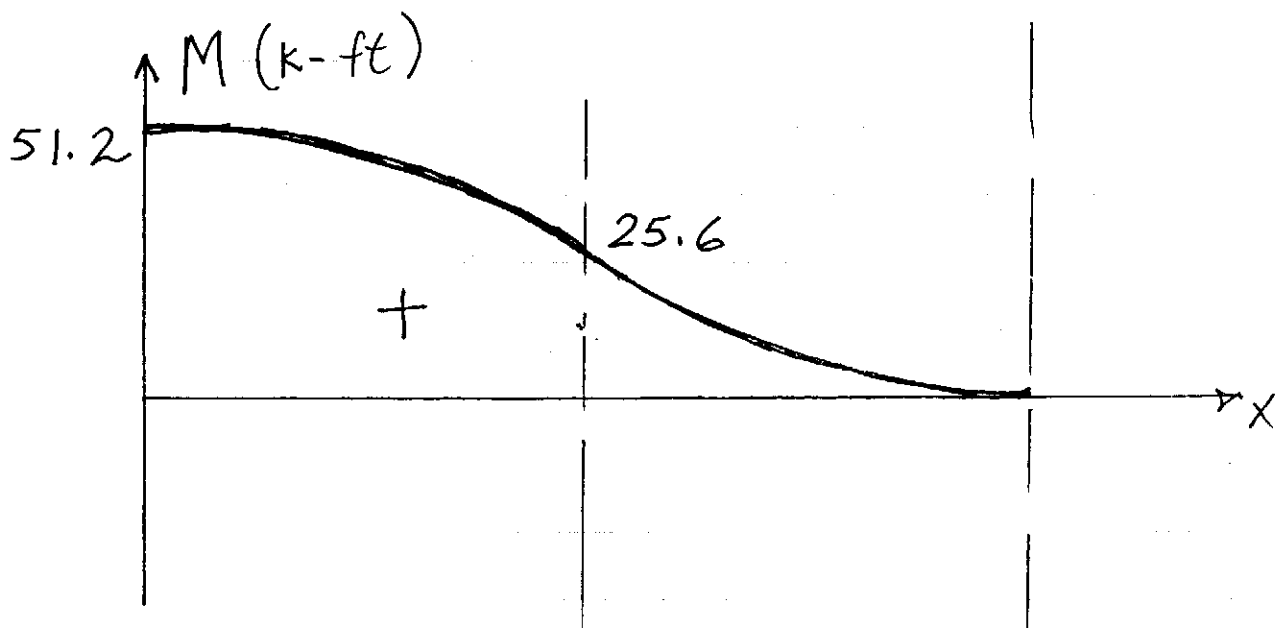
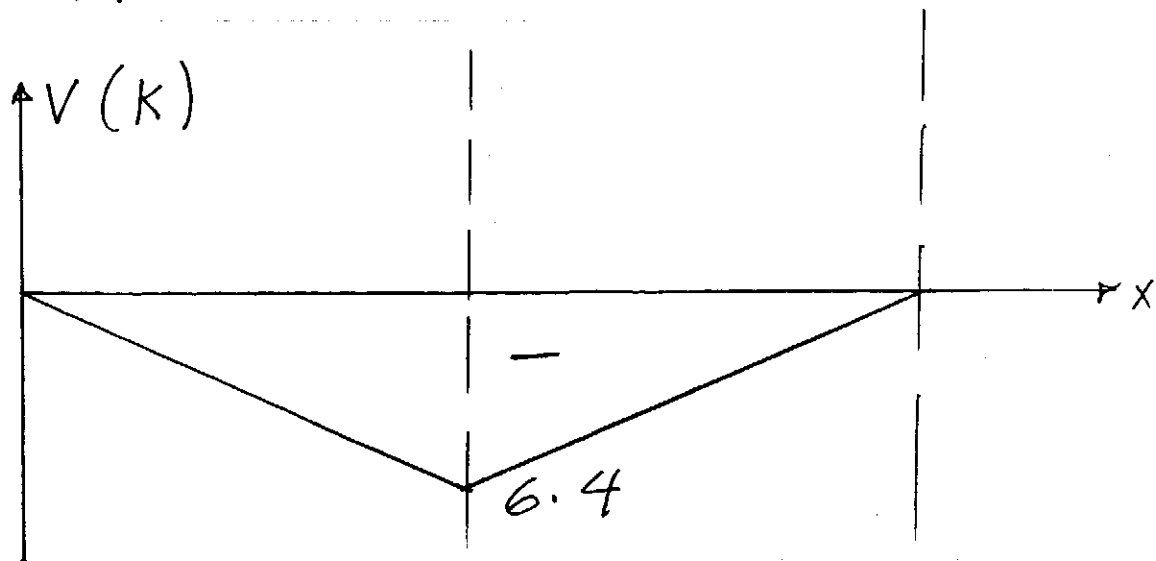
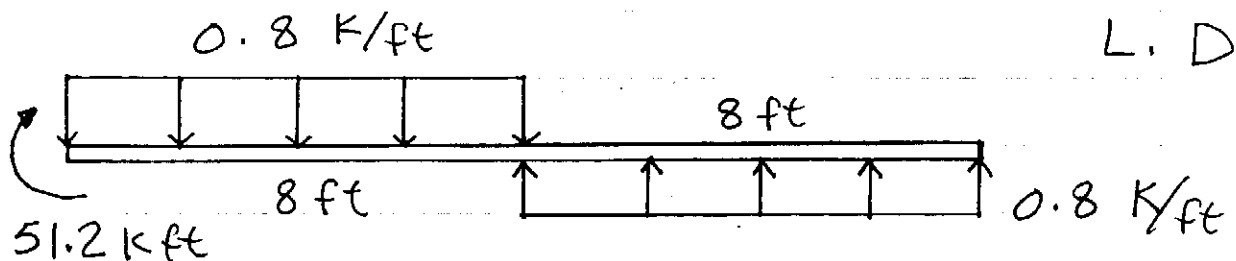
King Fahd University of Petroleum and Minerals

Dhahran

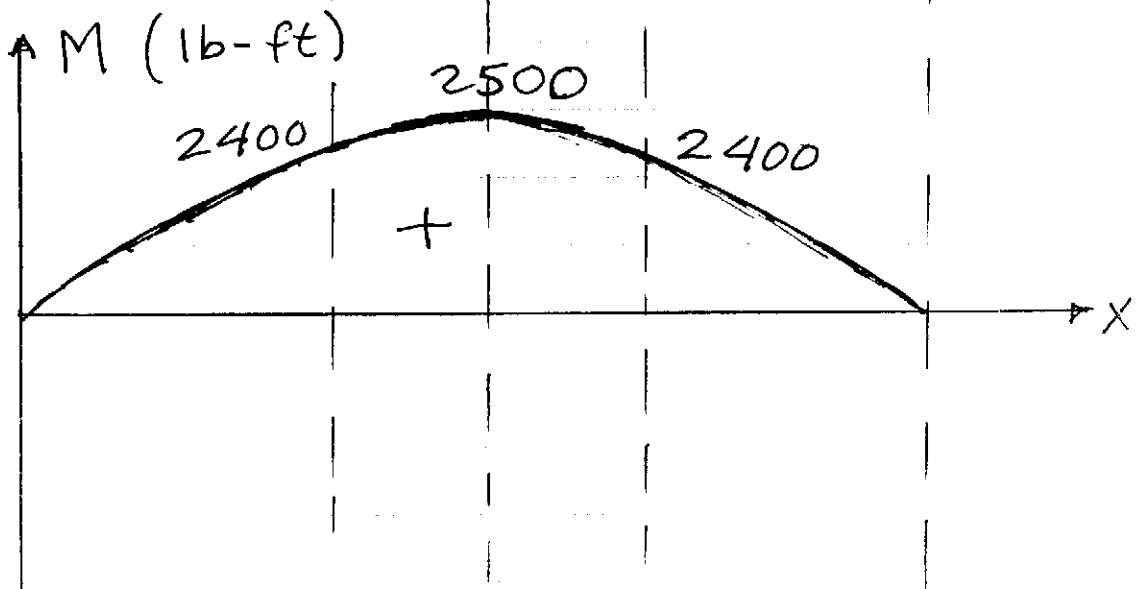
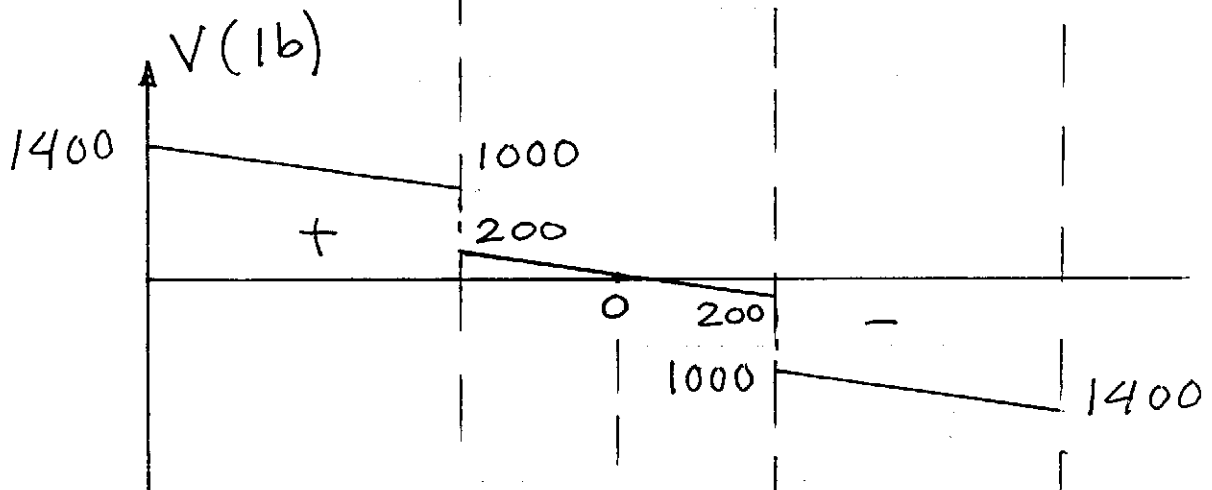
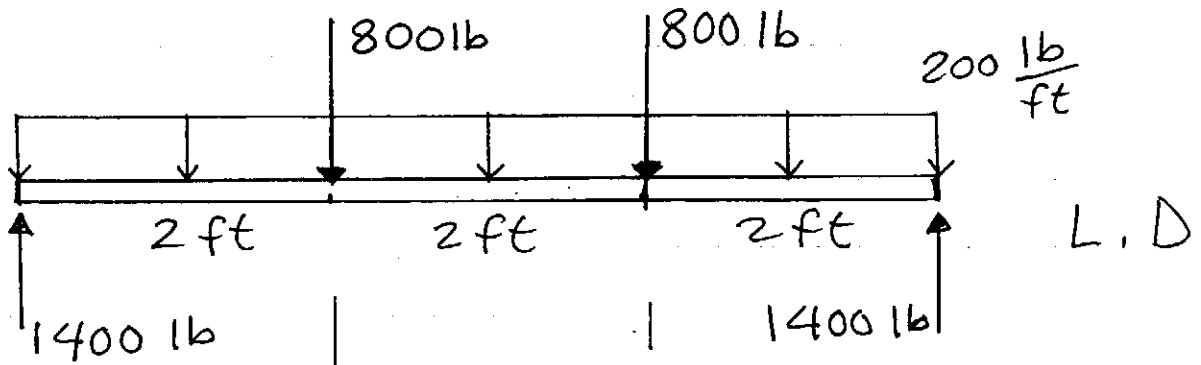
Solution of HW #7
 Problem #1 (6-1)



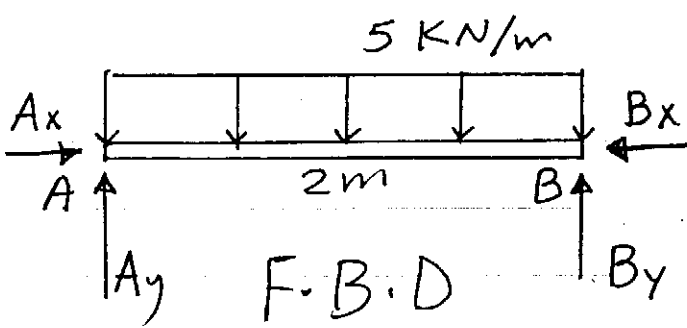
Problem # 2 (6-14)



Problem #3 (6-17)



Problem # 4 (6-19)



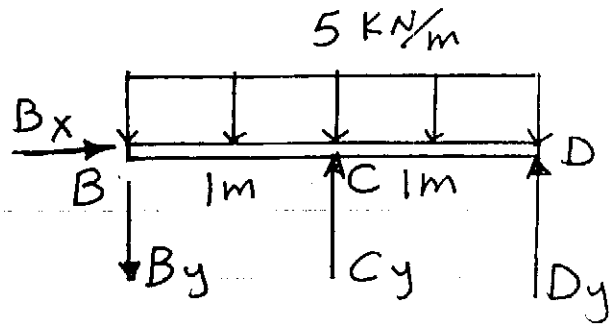
$$A_x = 0$$

$$\sum M_B = 0$$

$$A_y = 5 \text{ kN}$$

$$\sum F_y = 0$$

$$B_y = 5 \text{ kN}$$



F.B.D

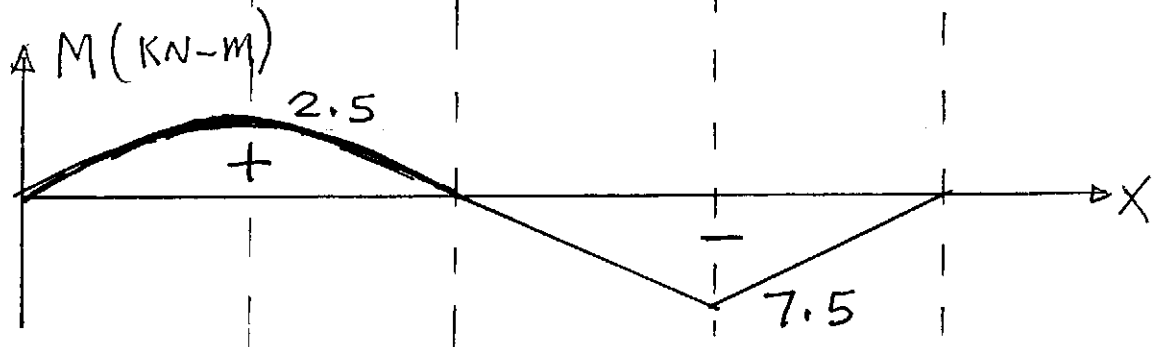
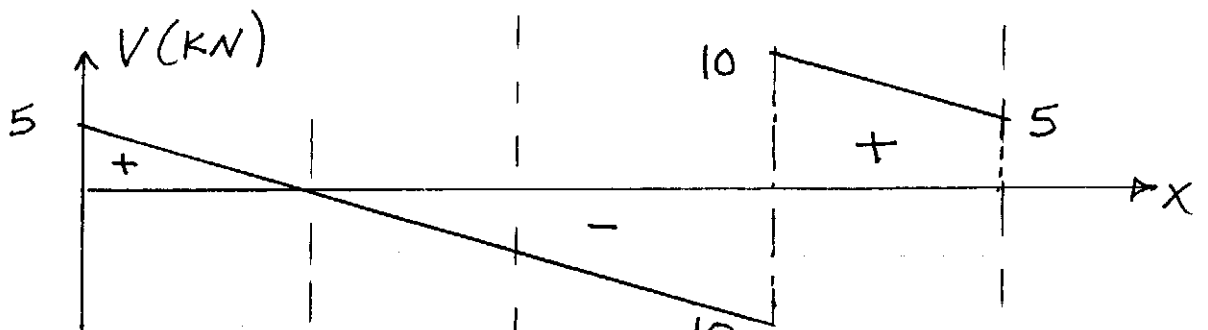
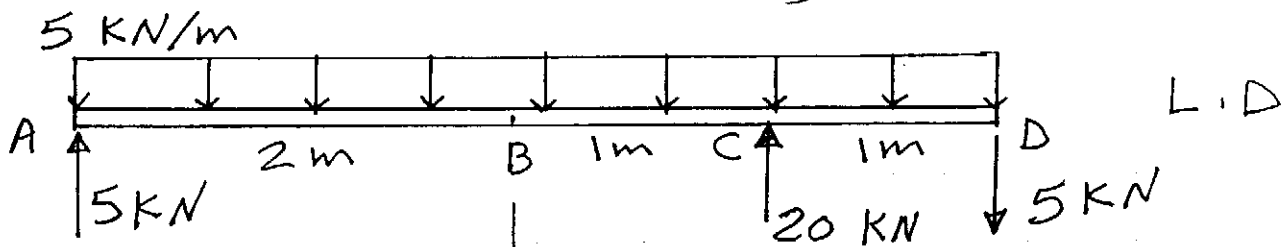
$$B_x = 0$$

$$\sum M_c = 0$$

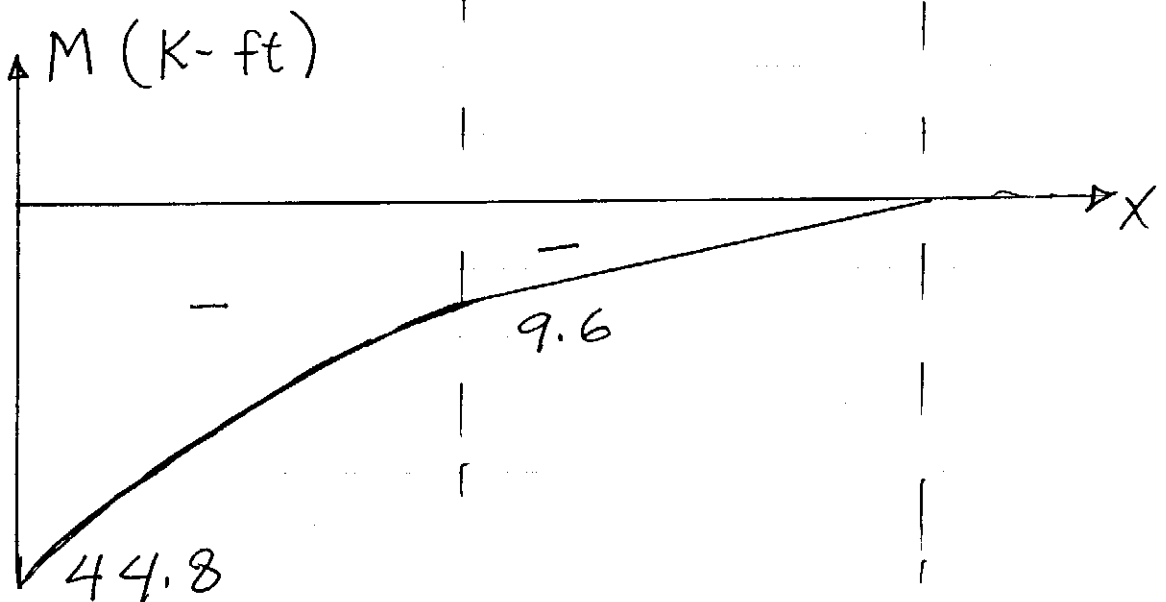
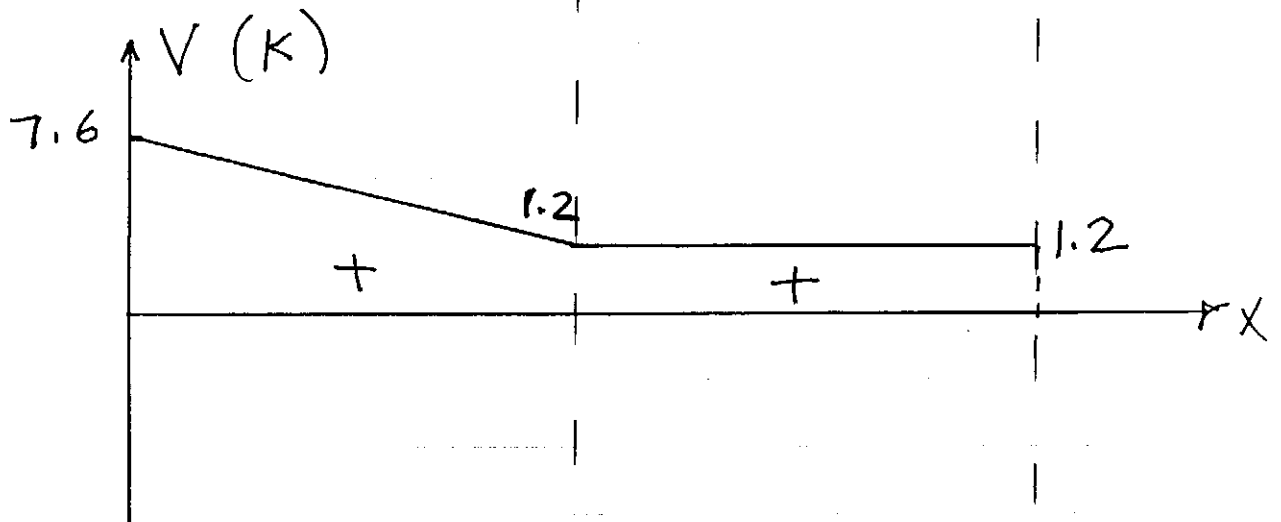
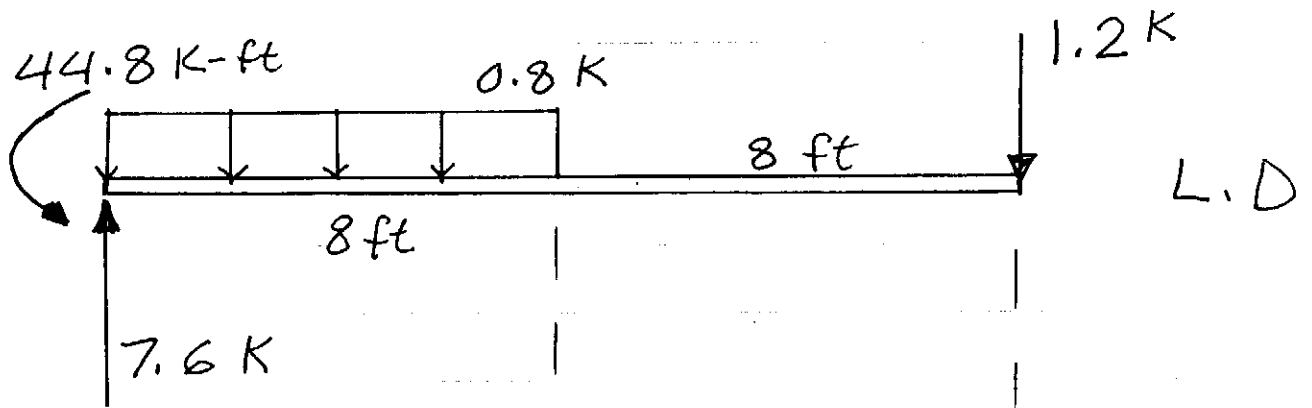
$$D_y = -5 \text{ kN}$$

$$\sum F_y = 0$$

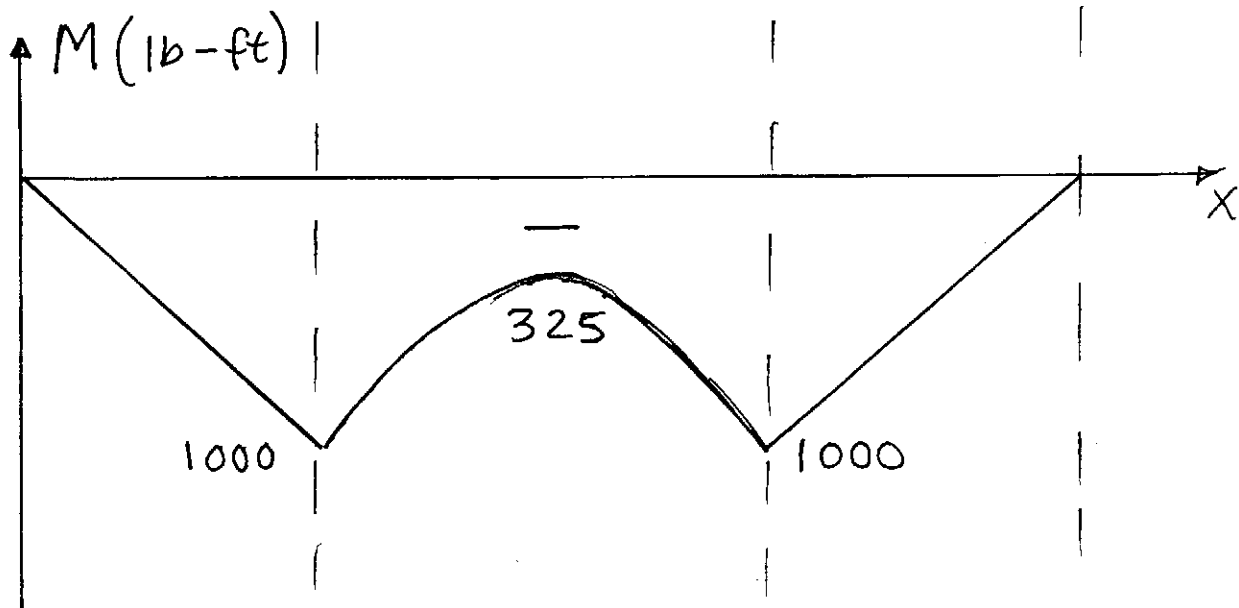
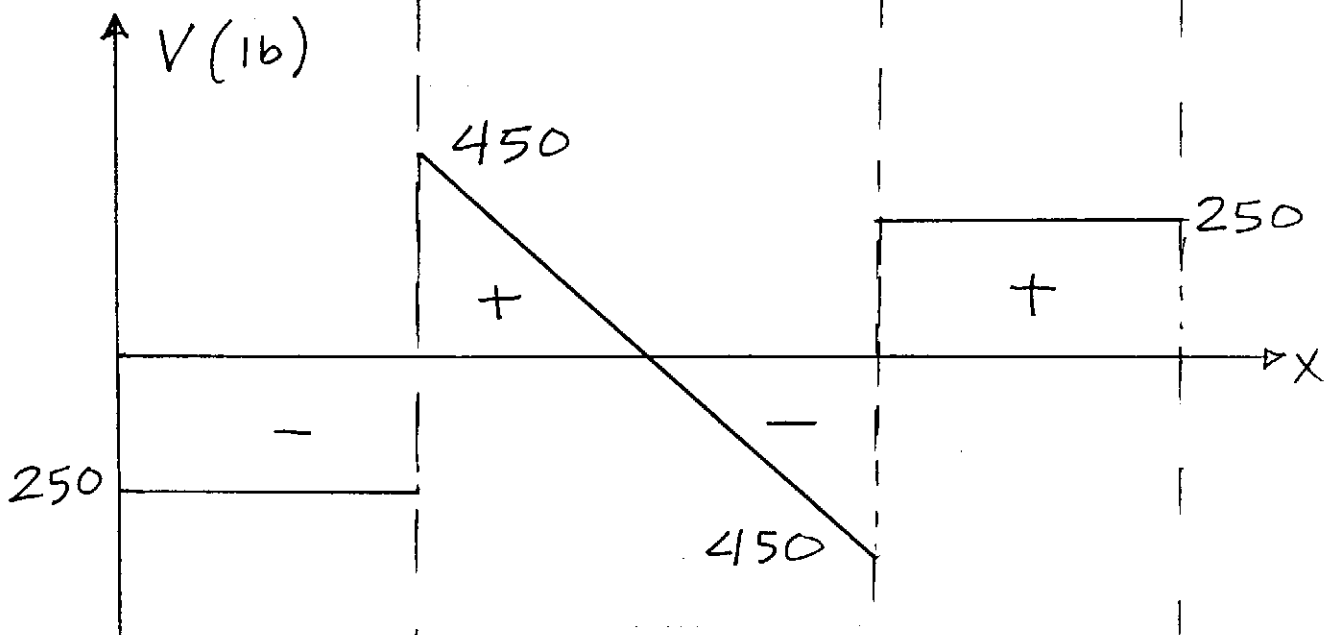
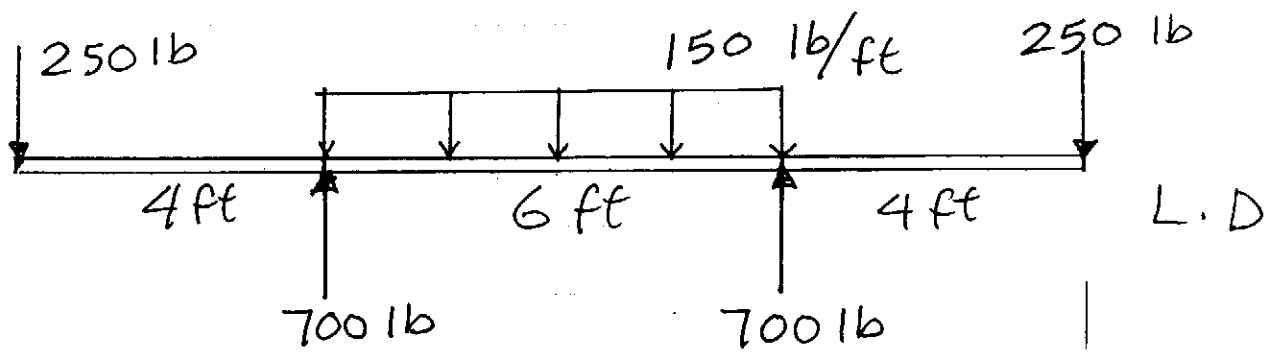
$$C_y = 20 \text{ kN}$$



Problem # 5 (6-21)



Problem #6 (6-22)



Problem #7 (6-29)

