

SOLUTION OF HOMEWORK NO: ~~14~~ 13

PROB (9-59) (Text P 467)

$(\bar{x}, \bar{y}) = ?$

$= \frac{\sum A_i \bar{x}_i}{\sum A_i}$

$= \frac{[6 \times 2 \times 1 + 2 \times 6 \times 5]}{[6 \times 2 + 6 \times 2]}$

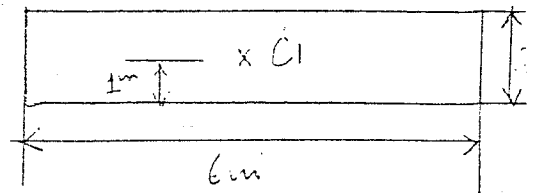
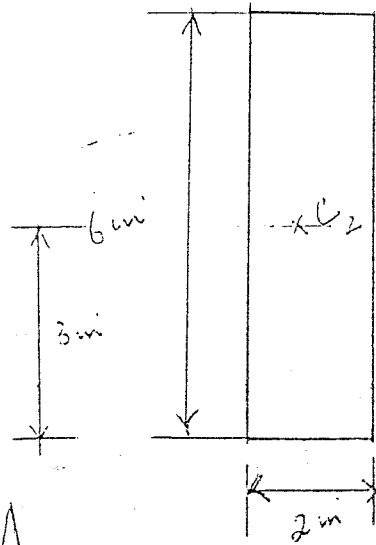
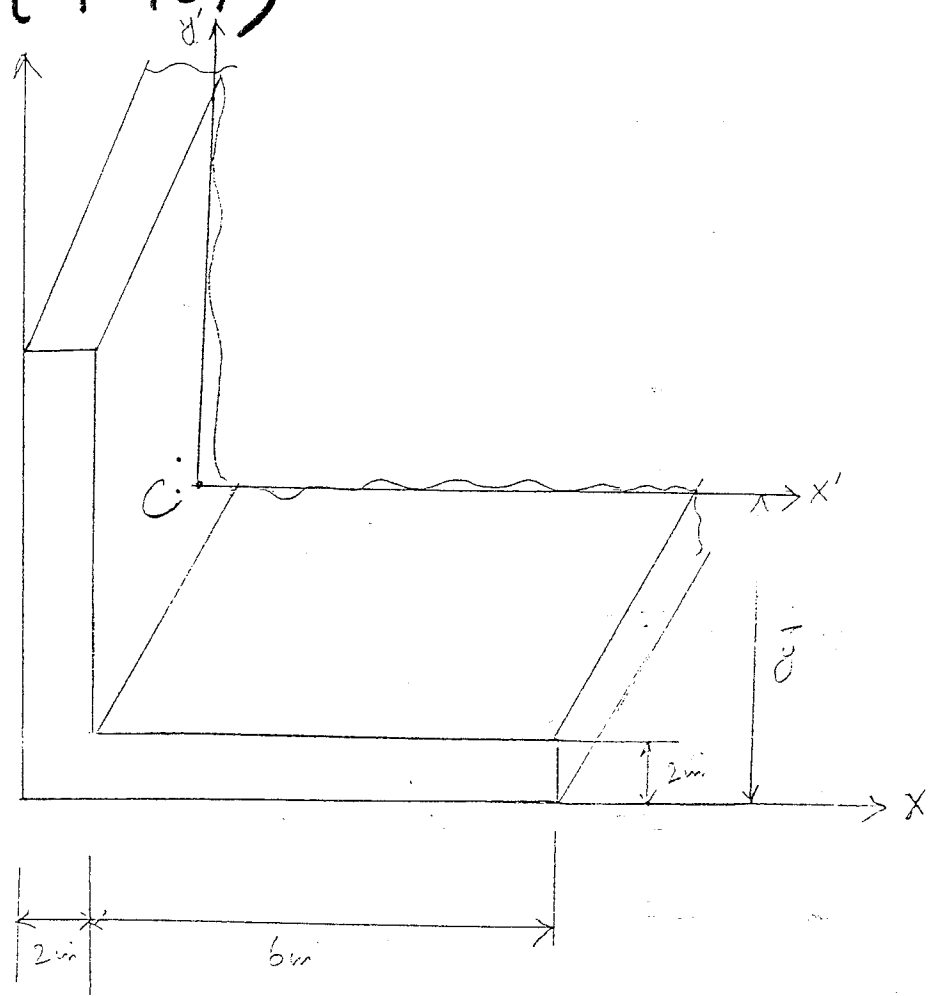
$= 3 \text{ m}$

$= \frac{\sum A_i \bar{y}_i}{\sum A_i}$

$\bar{y} = \frac{[6 \times 2 \times 3 + 2 \times 6 \times 1]}{6 \times 2 + 6 \times 2}$

$\bar{y} = 2 \text{ m}$

$(\bar{x}, \bar{y}) = (3, 2)$
Centroid



Ans

(1)