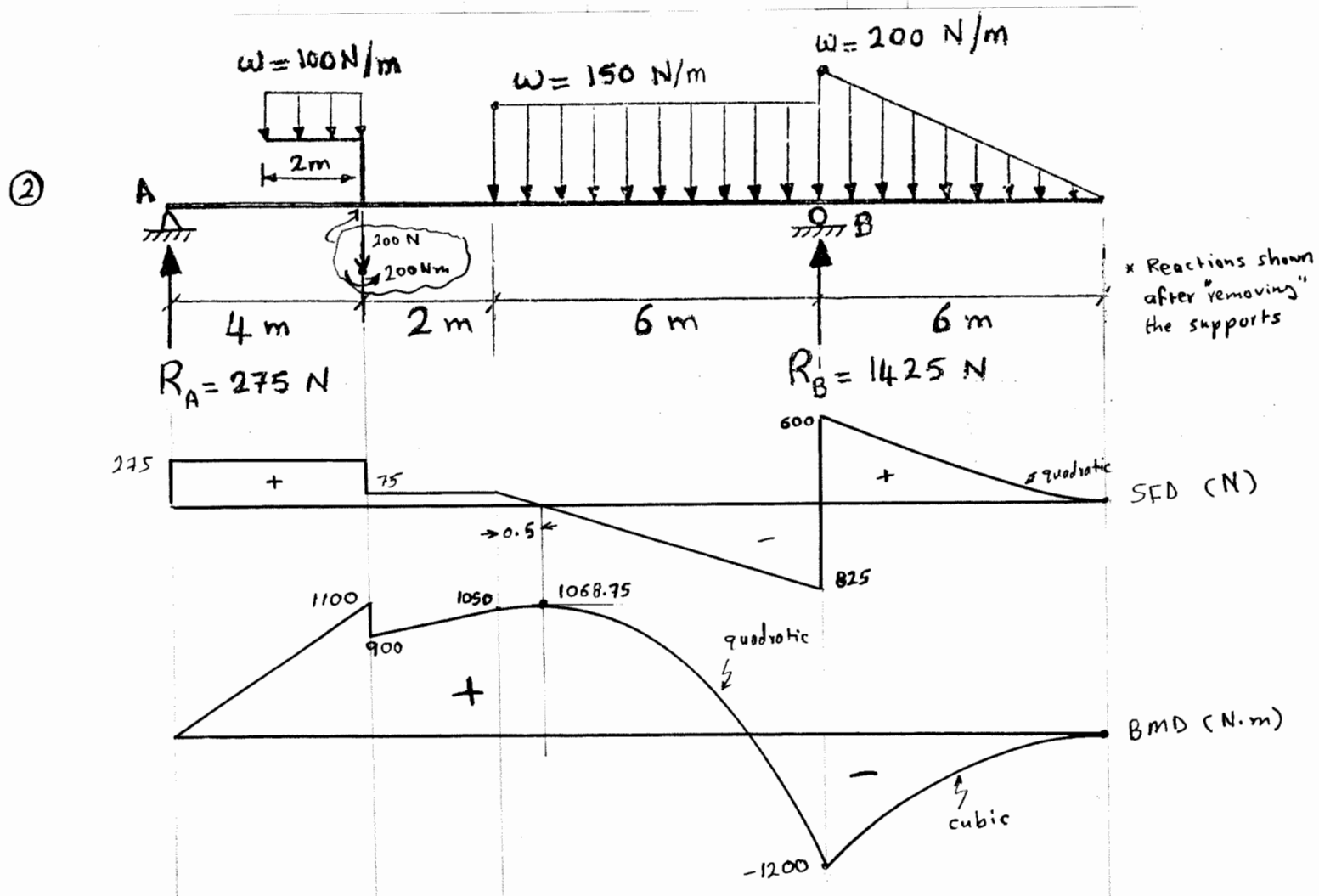
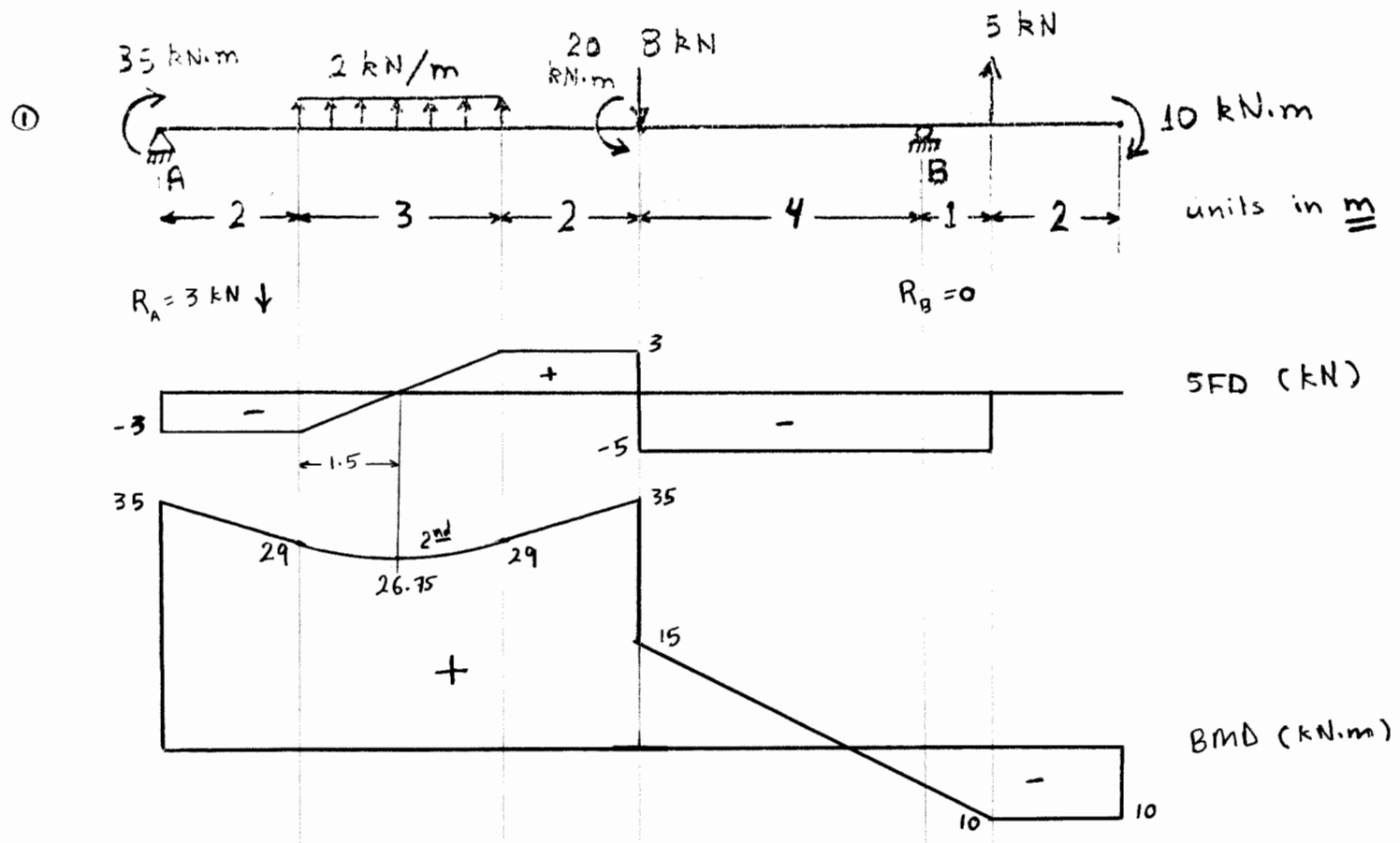
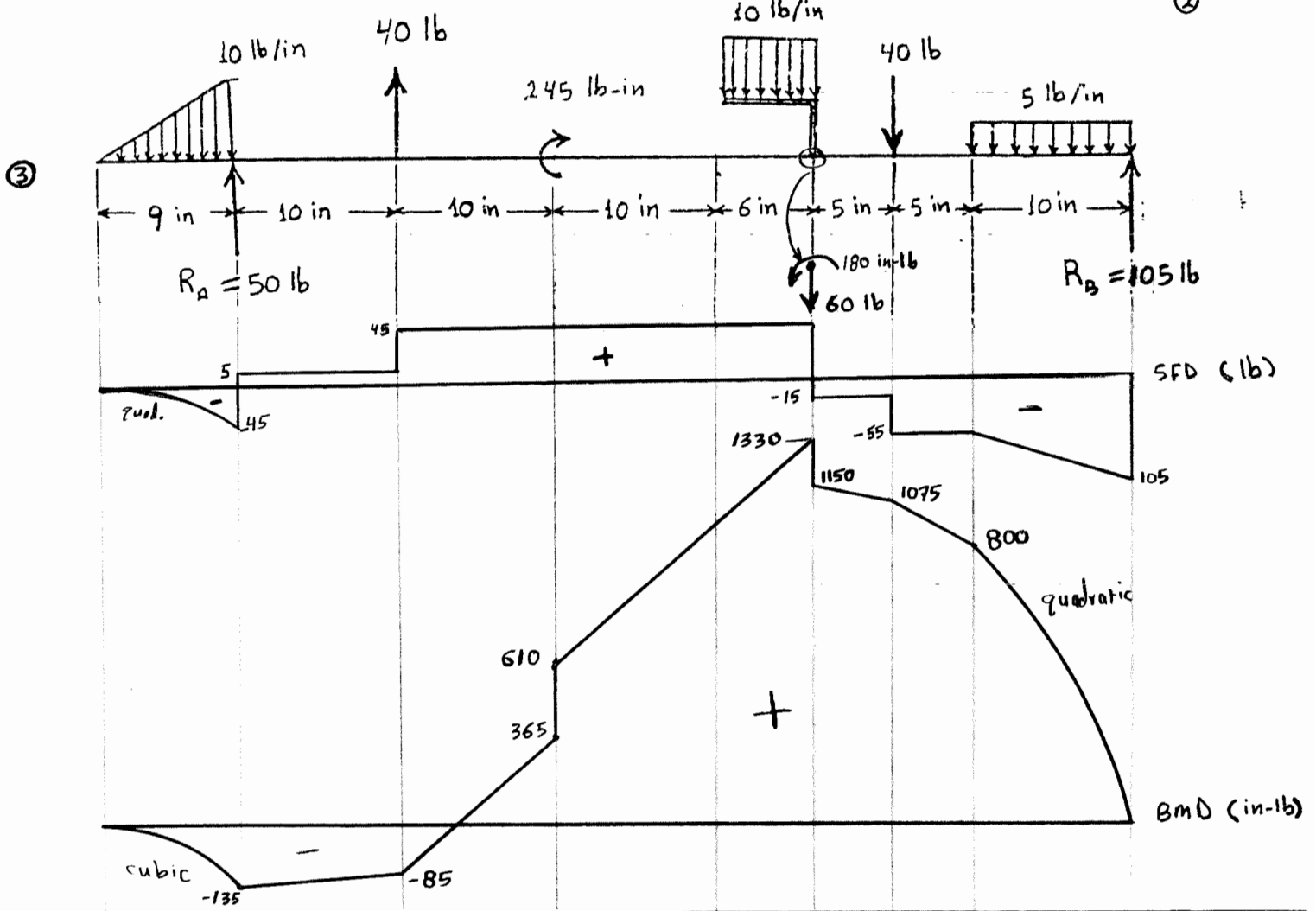


\*16 Examples 1-4: Draw the SFD & BMD for the beams shown below. ①





④ Qualitative

