

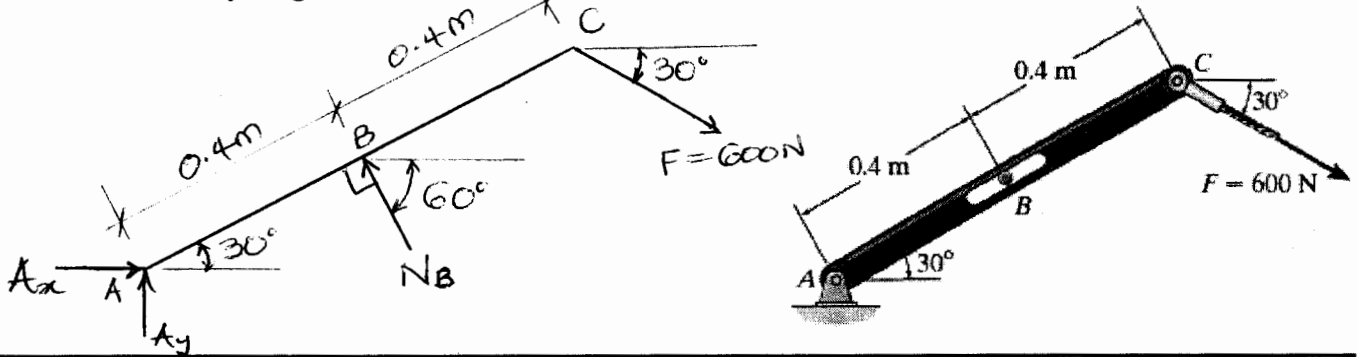
King Fahd University of Petroleum & Minerals
 CIVIL ENGINEERING DEPARTMENT
CE 201 STATICS (Sections 1 & 2)
 Second Semester 1432 / 2011 (102)

Name: Key
 ID #: _____

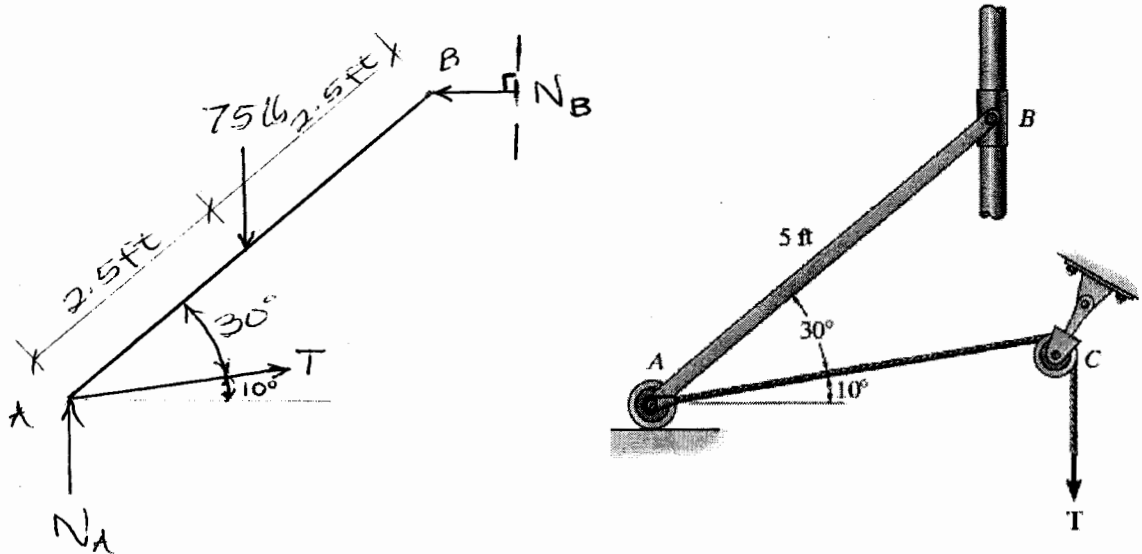
Quiz # 6

Score
 10

1) Draw the free-body diagram of member ABC.



2) Draw the free-body diagram of the uniform rod AB that has a weight of 75 lb.



3) Draw the free-body diagram of the vertical pole.

