

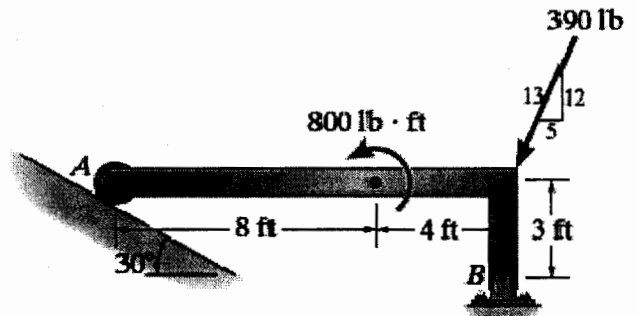
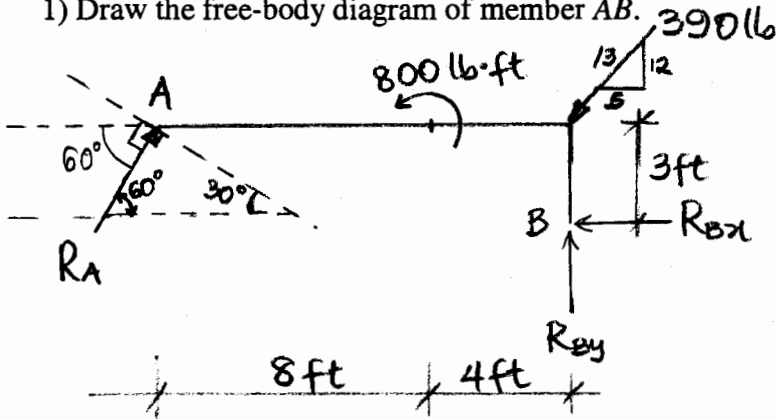
King Fahd University of Petroleum & Minerals
 CIVIL ENGINEERING DEPARTMENT
CE 201 STATICS (Sections 1 & 2)
 Second Semester 1432 / 2011 (102)

Name: Key solution
 ID #: _____

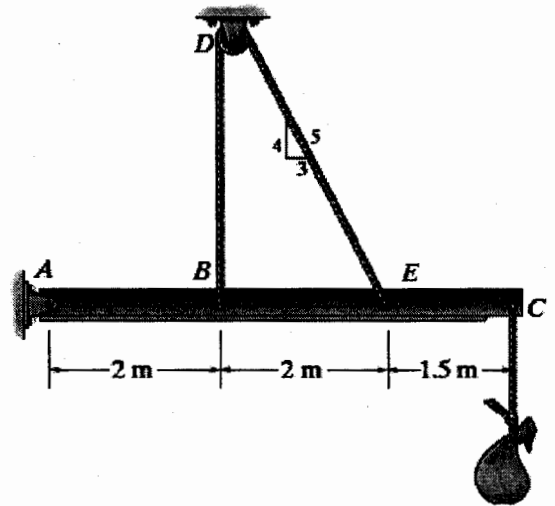
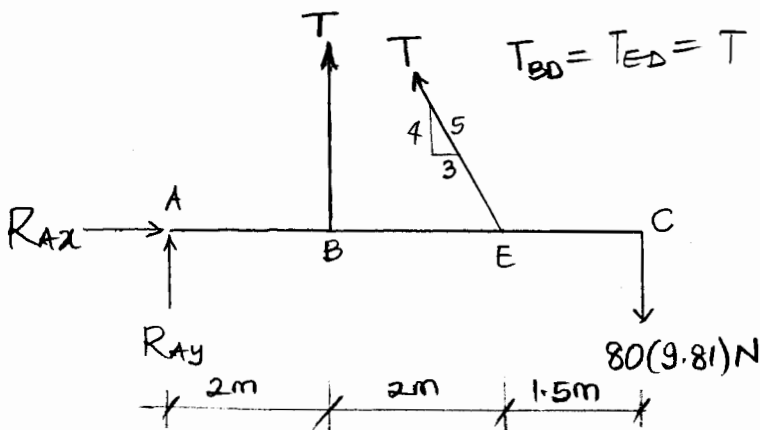
Quiz # 5

Score _____
 10

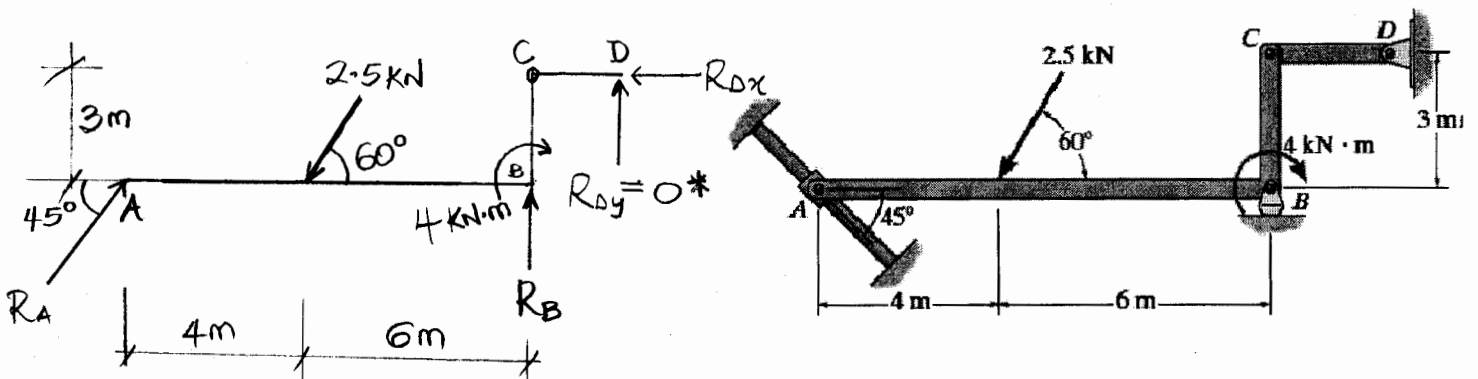
1) Draw the free-body diagram of member AB.



2) Draw the free-body diagram of the beam AC which supports the 80-kg load.



3) Draw the free-body diagram of member ABC which is supported by a smooth collar at A, roller at B, and short link CD.



* Note that CD is a two-force member, so $R_{By} = 0$.