

CE 201 STATICS (Sections 4 & 6)

First Semester 1429-30 / 2008-09 (081)

H.W. # 9

Due on Sunday 30-12-1429 / 28-12-2008 (any time)

Deadline for submission: **Monday 1-1-1430 / 29-12-2008 (before you sit in class)**

-
- 1- Determine the forces on the members of the frame shown in Fig. P1. [Sec. 6.6] (20 pts.)
 - 2- In the frame shown in Fig. P2, Determine the forces on member *ABC*. [Sec. 6.6] (15 pts.)
 - 3- Determine the forces on member *ABCD* in the frame shown in Fig. P3. [Sec. 6.6] (20 pts.)
 - 4- What is the value of the force exerted by the pliers, shown in Fig. P4, on the bolt at *A*? *B* is a pinned connection. [Sec. 6.6] (15 pts.)
 - 5- Determine the forces on member *ACDE* at points *A* and *E* in Fig. P5 shown. [Sec. 6.6] (30 pts.)
-

Fig. P1

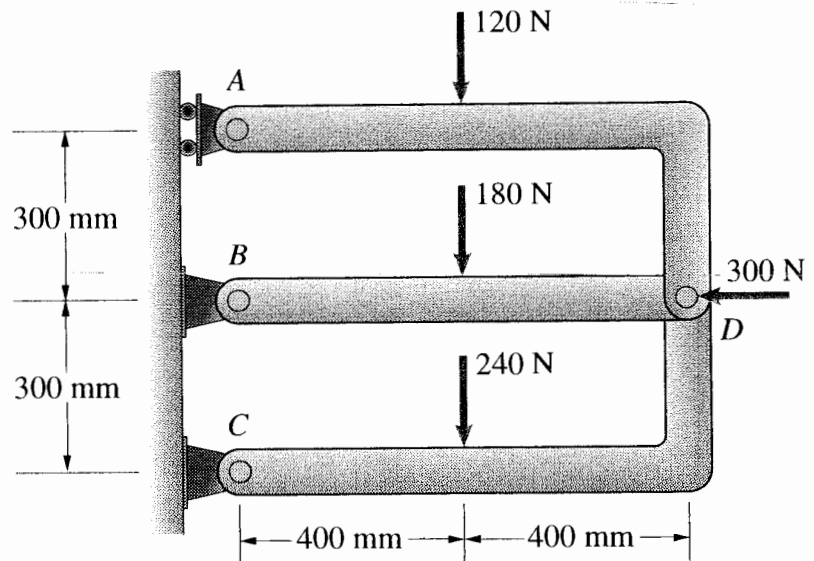


Fig. P2

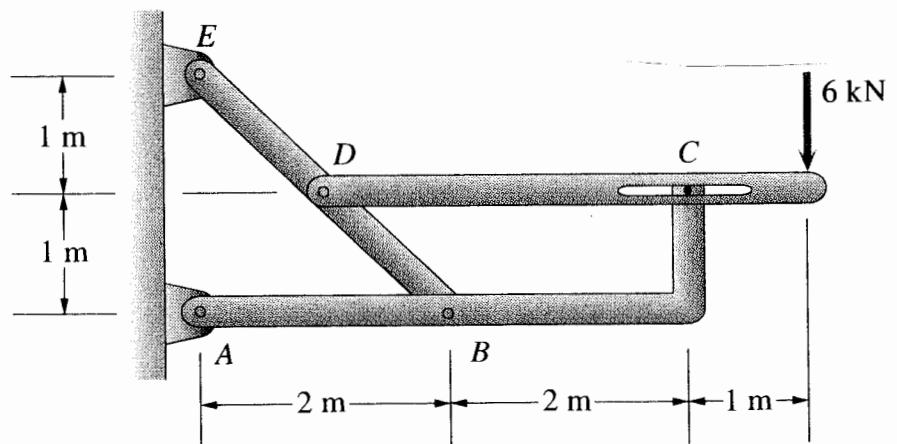


Fig. P3

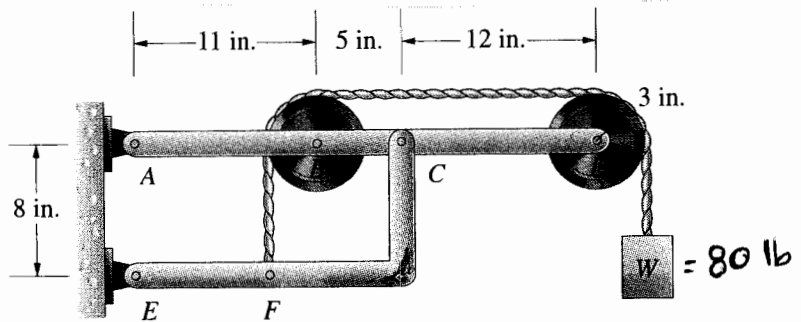


Fig. P4

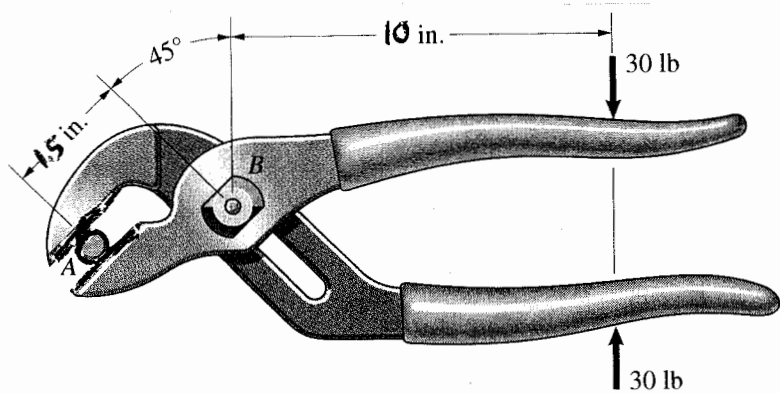
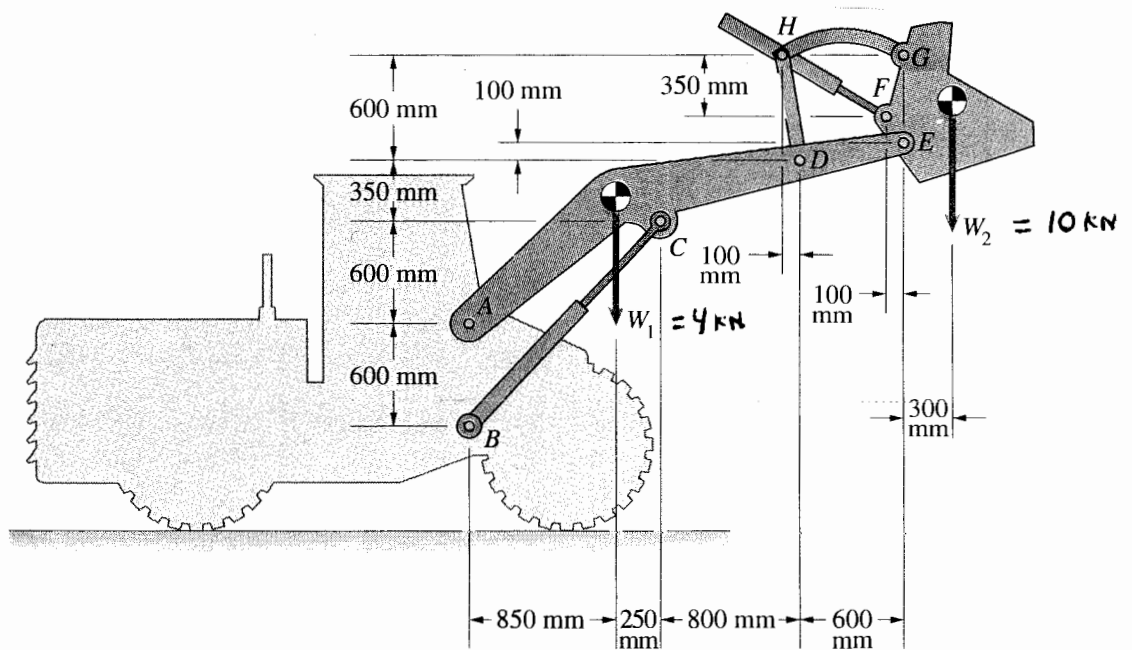


Fig. P5



Do your work yourself!! Remember that the homework carries about 15% of the course grade; in addition, *solving it is the best way to understand the subject.* Of course, you can seek my help anytime in the homework as well as in anything else.

As an engineer, review the guidelines for submitting homework assignments given to you in class **BEFORE** you start solving and writing the homework. **FOLLOW ALL THESE GUIDELINES.** Cheating, copying, etc. is!!!!!!