

King Fahd University of Petroleum & Minerals
CIVIL ENGINEERING DEPARTMENT

CE 201 STATICS (Section 8)
Second Semester 1424-25 / 2004 (032)

H.W. # 11

Due on Tuesday 15-3-1425 / 4-5-2004 (any time)

Deadline for submission: Wednesday 16-2-1425 / 5-5-2004 (**before you sit in class**)

-
- 1- Determine the internal forces at section *aa* shown in Fig. P1 below. [Sec. 7.1] (15 pts.)
 - 2- Determine the internal forces acting on the cutting plane shown in Fig. P2 below. [Sec. 7.1] (25 pts.)
 - 3- For the beam shown in Fig. P3 below, determine the equations and draw the shear force and bending moment diagrams. [Sec. 7.2] (15 pts.)
 - 4- Repeat problem 3, but for the beam shown in Fig. P4 below. [Sec. 7.2] (20 pts.)
 - 5- Repeat problem 3, but for the beam shown in Fig. P5 below. [Sec. 7.2] (25 pts.)
-

You have to do all problems by yourself only. *Of course you can seek my help anytime in the homework as well as in anything else.*

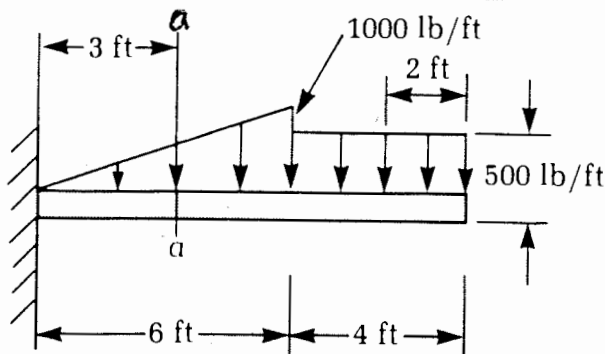


Fig. P1

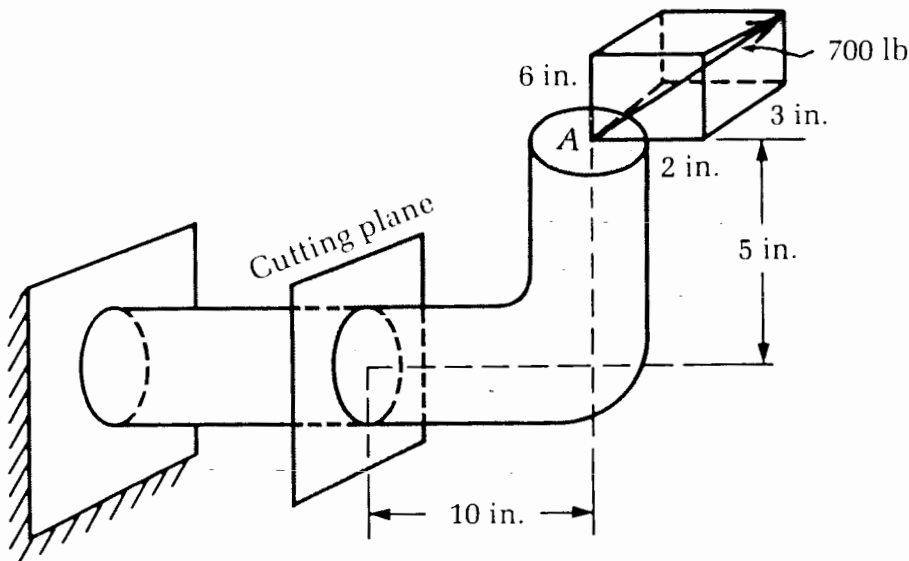


Fig. P2

Review the **guidelines for submitting homework assignments** given to you in class **BEFORE** you start solving and writing the homework. **DO NOT SUBMIT THE HOMEWORK IF YOU DO NOT FOLLOW THESE GUIDELINES.** *Cheating, copying, etc. is!!!!!!*

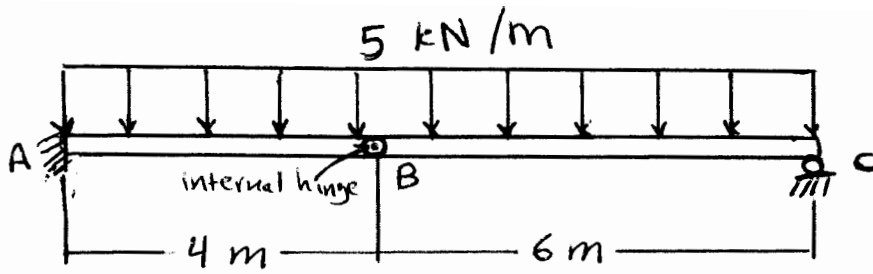


Fig. P3

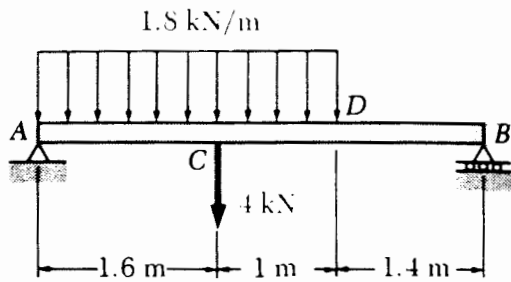


Fig. P4

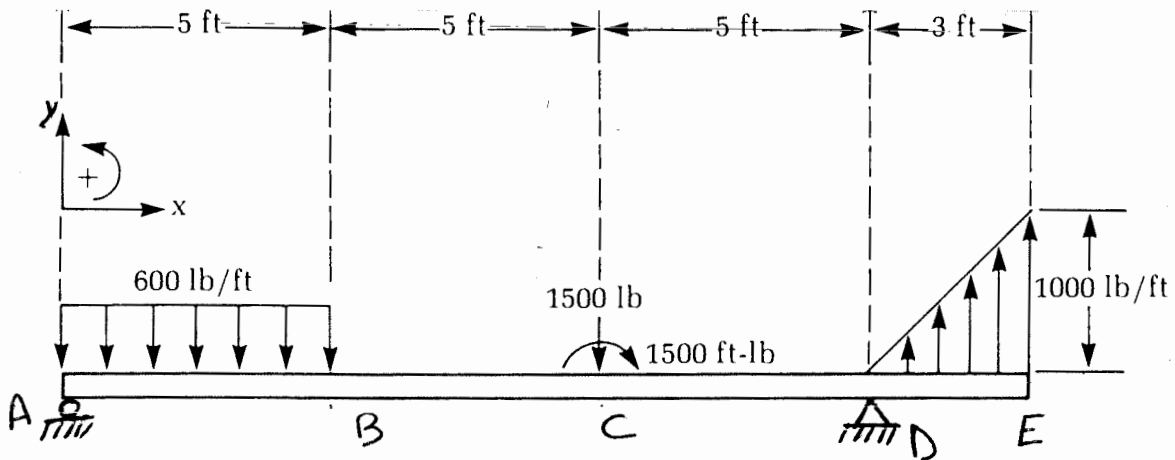


Fig. P5